

Installation Instructions:

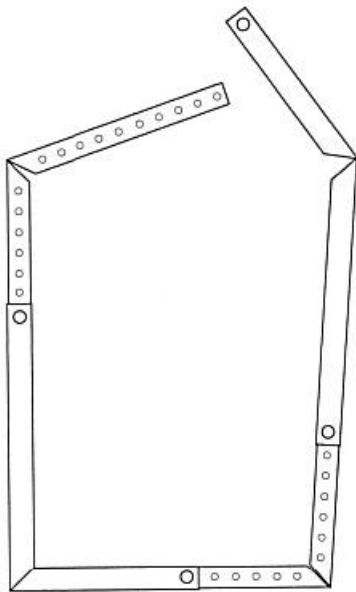
A: Frame

NOTE: NO TRIMMING OF FILTER PAD OR PLASTIC GRID IS NEEDED IF YOUR FILTER IS 25x30. Simply insert fasteners, then proceed to section C, step 3.

Step 1: Adjust frame to your filter size. You may want to use your old filter as a guide.

NOTE: Outside dimensions of filters are down sized 1/4", (i.e. – 16x25 = 15 ¾ x 24 ¾)

Step 2: install locking tabs on 3 of the 4 frame sides.

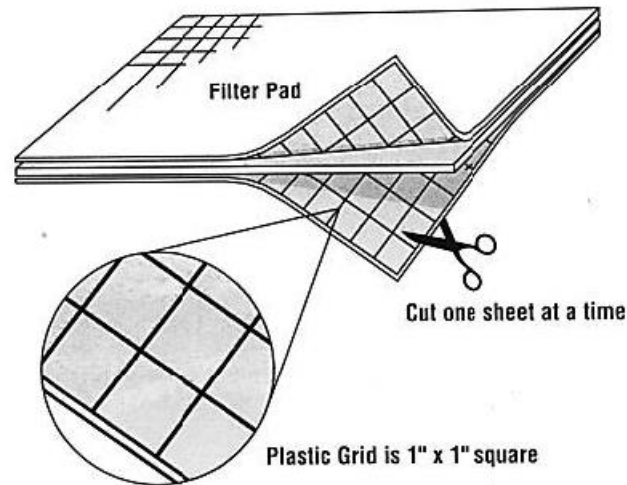


B: Filter Pad

Step 1: Trim plastic grid and filter pad to fit inside frame. Measure by using tape measure at left. (i.e. – If your filter size is 16x25 then the outside dimensions of your frame should be approximately 15 ¾ x 24 ¾. Trim filter pad and plastic grid to 15 ½ x 24 ½).

Step 2: using durable scissors, cut each individual sheet (Top Plastic Grid, Filter Pad, and Bottom Plastic Grid) to size. Hint – Cut one sheet at a time and use the first sheet as a template for the other two sheets.

Note: Both sides of the filter pad are the same.



C: Assembly

Step 1: Insert Top Plastic Grid, Filter Pad and Bottom Plastic Grid back into frame.

Note: Squeeze Plastic Grid and Filter Pad together and insert frame one side at a time.

Step 2: Enclose 4th side and insert remaining locking tab.

Step 3: Now simply replace your old furnace filter.

